

Ceiling hood
Pure'line 90cm

6830/16
Stainless steel

EAN 5414425068302

Energy label

| | |
|--|------|
| Energy efficiency class (EEIhood) | A |
| Annual energy consumption (kWh/year) (AEChood) | 40,4 |
| Fluid Dynamic Efficiency class (FDEhood) | A |
| Lighting efficiency class (LEhood) | A |
| Grease filtering efficiency class (GFEhood) | D |

General information

| | |
|---|----------------------|
| Motor integrated | • |
| Possibility to separate the motor (indoor installation) | • |
| Without motor, use remote motor inside, outdoor wall motor of flat roof motor | - |
| Kind of light | LED (4x2W) |
| Dimmable light | • |
| With sound absorber | • |
| Recirculation | optional (Monoblock) |

Dimensions (mm)

| | |
|--|-----------------|
| Dimensions (WxDxH) (mm) | 868 x 508 x 313 |
| Height incl. mounting clamps (without motorbox) (mm) | 133 |
| Dimensions cut out opening in ceiling (WxD)(mm) | 845 x 485 |
| Width flange (mm) | 15 |
| Advice mounting height between worktop to cooker hood with electrical and ceramic hobs (Hmin-Hmax)(mm) | 600 - 1600 |
| Advice mounting height between worktop to cooker hood with gas and induction hobs (Hmin-Hmax)(mm) | 650 - 1600 |
| Diameter outlet (mm) | 150 |

Functions

| | |
|---|--------------------------------|
| Operation | touch buttons + remote control |
| Number of speed | 3 + power |
| Powerspeed automatically to lower speed (minutes) | 6 |
| Delayed self switching off (minutes) | 10 |
| InTouch function for induction hob | • |
| Auto-Stop | • |
| Light indicator for grease filter cleaning | • |
| Light indicator for recirculation filter cleaning/ substitution | • |
| Connection with external light and operate with remote control (optional) | - |

Airflow and noise level

| | |
|--|---------|
| Maximum flow (m ³ /h) | 815 |
| Airflow (m ³ /h)(according to EN 61591) | |
| - Speed 1 | 269 |
| - Speed 2 | 447 |
| - Speed 3 | 591 |
| - Powerspeed / speed 4 | 707 |
| Pressure (Pa) on the highest speed (according to EN 61591) | 382 |
| Noise Level (dB(A) re 1 pW/ dB(A) re 20µPa) (according to EN 60704-2-13) | |
| - Speed 1 | 34 / 22 |
| - Speed 2 | 48 / 35 |
| - Speed 3 | 55 / 42 |
| - Powerspeed / speed 4 | 59 / 46 |

Technical specifications

| | |
|---|-------------------------------|
| Number of grease filters | 2 |
| Total power (W) | 119 |
| The power consumption in off-mode in Watt (P0) | - |
| The power consumption in stand-by-mode in Watt (Ps) | 0,3 |
| Position exhaust | top/ right/ left/ front/ back |
| Weight cookerhood / motorunit (kg) | 21,5 / 6 |



Ceiling hood
Pure'line 90cm

6830/16
Stainless steel

Accessories

Recirculation kit

- Built-in recirculationbox with Monoblock filter (stainless steel)(270x500x295mm) 830400
- Built-in recirculationbox with Monoblock filter (white)(270x500x295mm) 831400



- Built-in recirculationbox with Monoblock filter (stainless steel)(140x820x298mm) 7900400



- Adapter connection flat pipe** 6830052



- Extended cable for seperated motor (5m)** 7000094

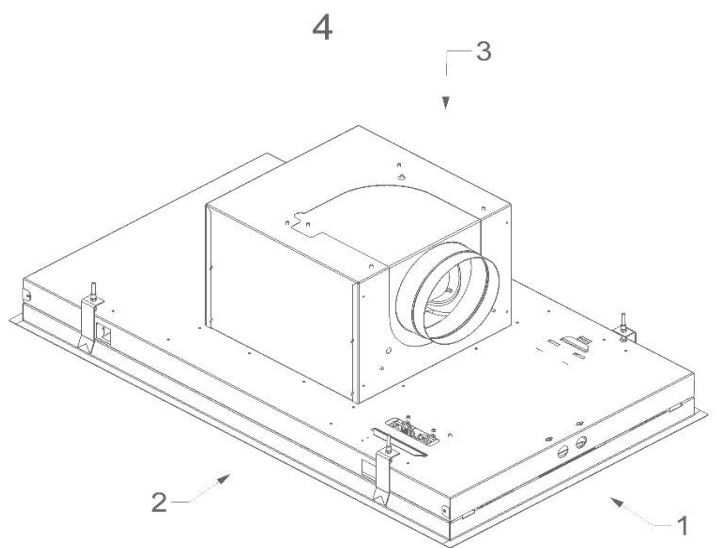
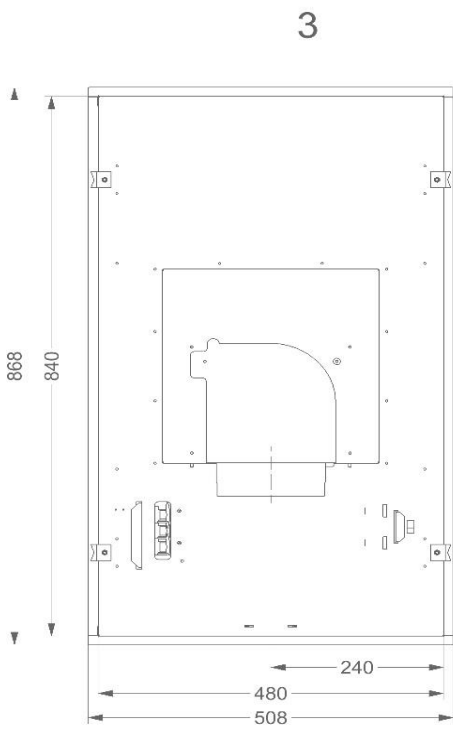
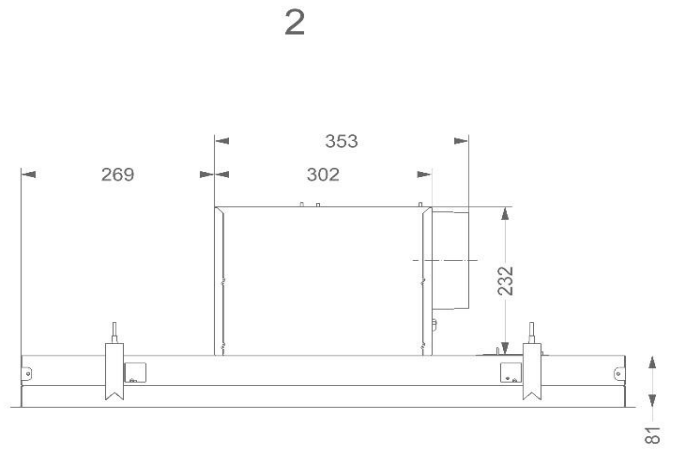
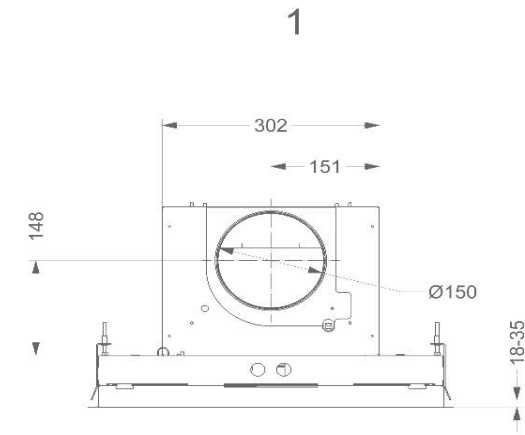


- Kit for valve or external lighting control** 990030



Ceiling hood
Pure'line 90cm

6830/16
Stainless steel



Ceiling hood
Pure'line 90cm

6830/16
Stainless steel

